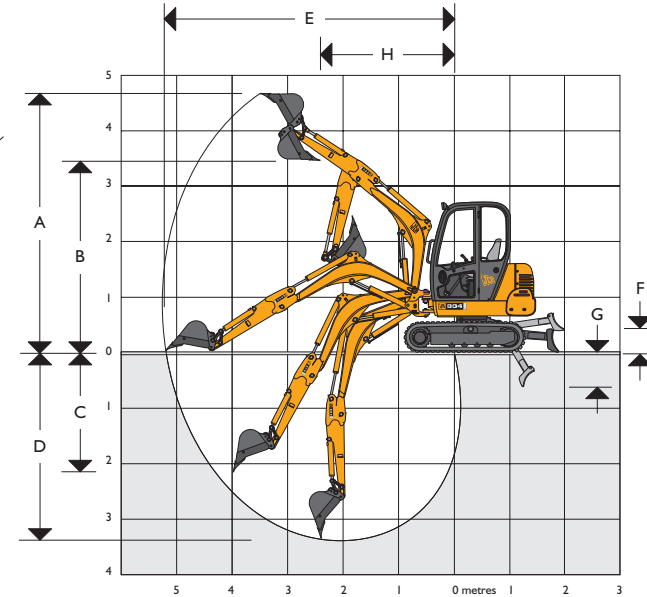
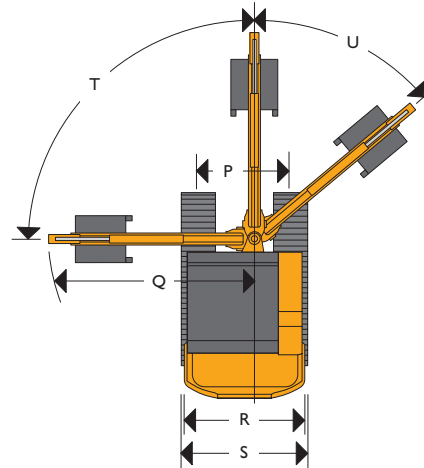
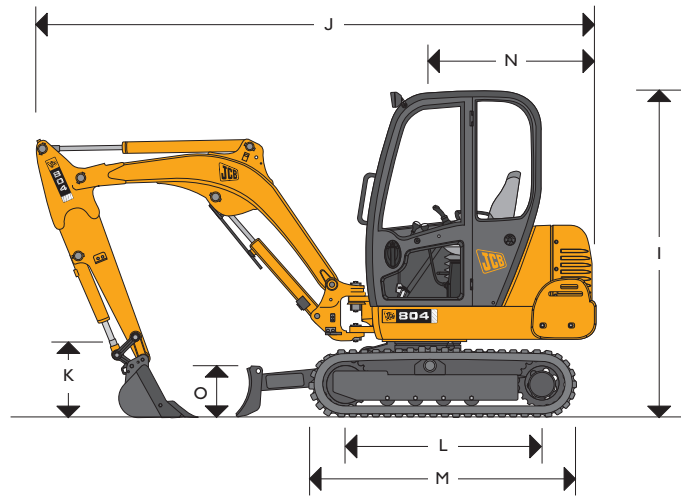




JCB MINI EXCAVATOR | 804 SUPER



MAX. ENGINE POWER: 23.9kW (32hp)
 MAX. DIG DEPTH: 3.30m (10ft 10in)



PERFORMANCE DIMENSIONS

Machine model		804 SUPER
Dipper length	mm	1600
A Maximum dig height	mm	4616
B Maximum dump height	mm	3469
C Maximum vertical dig depth	mm	2177
D Maximum dig depth – dozer up	mm	3308
Maximum dig depth – dozer down (L. dozer)	mm	3543
E Maximum reach (ground level)	mm	5200
Bucket rotation	degrees	186°
F Dozer cut above ground (L. dozer)	mm	322
G Dozer cut below ground (L. dozer)	mm	691
H Minimum slew radius	mm	2220
I Overall height (transport position)	mm	2430
J Overall length (transport position)	mm	4380
K Kingpost clearance	mm	560
L Sprocket idler centres (rubber)	mm	1585
M Undercarriage length (rubber)	mm	2030

PERFORMANCE DIMENSIONS

Machine model		804 SUPER
N Tailswing	mm	1449
O Dozer height	mm	350
P Dozer width	mm	1600
Q Minimum slew radius (no bucket)	mm	2112
R Superstructure width	mm	1410
S Width over tracks	mm	1500
T Boom swing left	degrees	90°
Boom swing left (limit stop installed)	degrees	70°
U Boom swing right	degrees	50°
Maximum bucket tearout (SAE J1179)	kgf	2270
Maximum dipper tearout (SAE J1179)	kgf	1782
Travel speed – 1st gear	kph	2.2
Travel speed – 2nd gear	kph	3.7
Drawbar pull	kgf	2860
Slew speed	rpm	10.3

ENGINE

3 cylinder: 403-15, 4 stroke, water cooled diesel engine.

Machine model		804 SUPER
Model		403-15
Gross power @ 2200rpm	kW (hp)	20.7 (27.76)
Net power @ 2200rpm	kW (hp)	19.8 (26.55)
Gross torque @ 2000rpm	Nm	96
Net torque @ 2000rpm	Nm	92
Displacement		1496
Starter motor	volt/kW	12/1.2
Battery	volt/amps	12/75
Alternator	amps	55

Fuel injection system: Bosch type in-line integral fuel injection pump. Protected by separate filter and sediment.

Manual override on lift pump

UNDERCARRIAGE

Machine model		804 SUPER
Number of bottom rollers		4
Track width	mm	350 / 300
Ground pressure	kg/cm ²	0.29
Ground clearance	mm	320
Track tensioning		Grease

HYDRAULIC SYSTEM

Machine model		804 SUPER
Pump		1 Variable (2 Ports) / 1 Gear
Nominal output	lpm	35 / 35 / 22
Excavator/track main relief	bar	190
Slew main relief	bar	172
Auxiliary hydraulic flow	bar	57
Hydraulic motors		Piston

SERVICE CAPACITIES

Machine model		804 SUPER
Water system capacity	litres	8
Fuel tank capacity	litres	48
Engine oil capacity	litres	5
Hydraulic system capacity	litres	70
Hydraulic tank capacity	litres	48

MACHINE WEIGHTS

Machine model		804 SUPER
Operating weight with 1660mm dipper	kg (lb)	3506 (7729)
With 1400mm dipper	kg (lb)	-12 (-26)
With 1100mm dipper	kg (lb)	-18 (-40)
With steel tracks	kg (lb)	+80.5 (+177)

Note: operating weight to ISO 6016 including cab, rubber tracks, long dozer, 610mm bucket, full tanks and 75kg operator.

EEC NOISE LEVELS (95/27/EC DYNAMIC)

Machine model		804 SUPER
Cab internal	dB (LpA)	83
Cab external	dB (LwA)	97
Canopy internal	dB (LpA)	79
Canopy external	dB (LwA)	97

